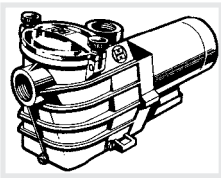
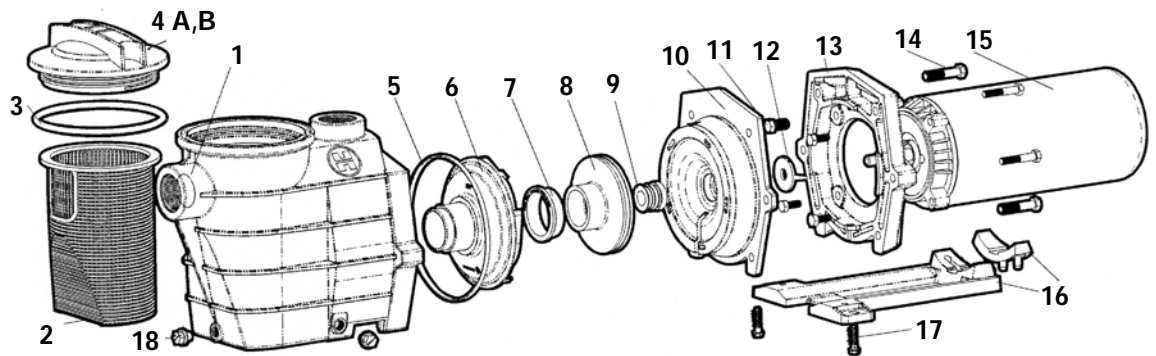
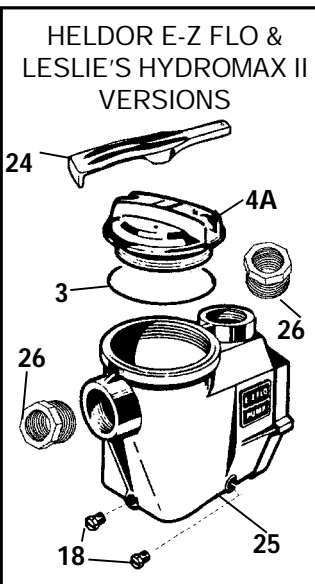
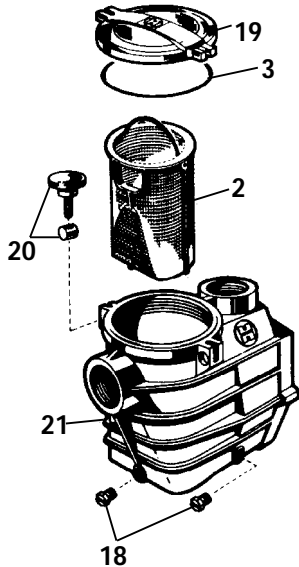


MODELS SP-3000/AZ (Full Rated), SP-3000X/AZ (Uprated), And Helder E-Z FLO

ALSO SOLD AS
LESLIES RS PUMP

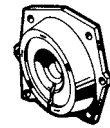
KEY	ITEM #	DESCRIPTION	MFG. #
	1	5110-071 PUMP HOUSING/STRAINER, 1 1/2" X 1 1/2", W/DRAIN PLUGS, THREADED STYLE	SPX3100AAZ
	1	5110-072 PUMP HOUSING/STRAINER, 2" X 2", W/DRAIN PLUGS, THREADED STYLE	SPX3120AAZ
	2	5110-05A BASKET	SPX3000M
	3	5066-C1 STRAINER COVER O-RING	SPX3000S
	4A	5110-03C STRAINER COVER, THREAD STYLE (E-Z FB, AZ)	SPX3100D
	4B	5110-031 STRAINER COVER FOR BIGUANIDE SANITIZERS NOT PRESSURE TESTABLE	SPX3100DB
	5	5110-12A HOUSING GASKET	SPX3000T
	6	VARIOUS DIFFUSER - SEE CHART ON NEXT PAGE	
	*	5110-08 DIFFUSER GASKET	SPX1600R
	7	5110-23 IMPELLER RING - 3/4 THROUGH 2, 2 1/2 & 3 H.P. (SP3000 SERIES IMPELLERS)	SPX3005R
	7	5110-23A IMPELLER RING - 2, 2 1/2, 3 H.P. (SP3016C, SP3021C, 3026C)	SPX3021R
	8	VARIOUS IMPELLER - SEE CHART ON NEXT PAGE	
	9	5110-11 SEAL ASSY	SPX1600Z2
	*	5110-26 SEAL ASSY KIT (INCLUDES SEAL ASSY, HOUSING AND DIFFUSER GASKETS)	SPX3000TRA
	10	VARIOUS SEAL PLATE - SEE CHART ON NEXT PAGE	
	11	5112-013 MOTOR CAP SCREW (SET OF 4)	SPX0125Z44
	12	5110-20 SLINGER	SPX0125F
	13	5110-14A MOTOR MOUNTING PLATE	SPX3000F
	14	5110-15 HOUSING CAP SCREW SOLD EACH	SPX1600Z4
	*	6982-0 WASHER, 3/8" - FOR CAP SCREW SOLD EACH	SPX3000Z26
	15	VARIOUS MOTORS - 56J THREADED FRONT OF SECT G	
	16	5110-17B MOUNTING BRACKET W/ADAPTER & 2 CAP SCREWS	SPX3000GA
	17	5112-015 MOUNTING FOOT CAP SCREW (SET OF 2)	SPX1600Z52
	18	6761B 1/4" DRAIN PLUG (1991 AND PRIOR)	SPX1600V
	18	6761A 1/4" DRAIN PLUG W/GASKET	SPX1700FG
	19	5110-03B STRAINER COVER, CLEAR	SPX3000D
	20	5110-62 KNOB KIT (SWIVEL NUT & KNOB)	SPX1600PN
	21	5110-07D PUMP HOUSING/STRAINER, 1 1/2" X 1 1/2", W/DRAIN PLUGS	SPX3000AA
	21	5110-07E PUMP HOUSING/STRAINER, 2" X 2", W/DRAIN PLUGS	SPX3020AA
	23	5110-03C COVER THREADED *	SPX3100-D
	24	5110-24 TOOL, COVER REMOVAL *	SP-3100-T
	25	REPLACE NLA STRAINER REP W/5110-07G & (2) 7194-0	SPX3100-AA
	25	5110-07G PUMP HOUSING, EZ FLO 2"	SPX3120-AA
	26	7194-0 BUSHING, RDCR 2" MPT X 1 1/2" FPT	
	*	5110-22 REPAIR TAP SET, PUMP HOUSING	SP1600-TAP

* NOT SHOWN

MODELS SP-3000/AZ (Full Rated), SP-3000X/AZ (Uprated)

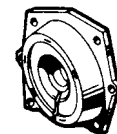
**SP-3000X SERIES**

1988 - CURRENT



MODEL	H.P. 3000X SERIES UP RATED	H.P. 3000 SERIES FULL RATED	IMPELLER OPTIMUS NO. (MFG. NO.)	DIFFUSER OPTIMUS NO. (MFG. NO.)	SEAL PLATE OPTIMUS NO. (MFG. NO.)
SP-3005X7	3/4	1/2	5110-10G (SPX3005-C)	5110-09F (SPX3000-BN)	5110-13E (SPX3020-E)
SP-3007X10	1	3/4	5110-10H (SPX3007-C)	5110-09F (SPX3000-BN)	5110-13E (SPX3020-E)
SP-3010X15	1 1/2	1	5110-10J (SPX3010-C)	5110-09F (SPX3000-BN)	5110-13E (SPX3020-E)
SP-3010X15-2*	(1988-)				
SP-3015X20	2	1 1/2	5110-10K (SPX3015-C)	5110-09F (SPX3000-BN)	5110-13E (SPX3020-E)
SP-3015X20-2*	(1988-1989)				
SP-3016X20	2 (1990-)	1 1/2	5110-10L (SPX3016-C)	5110-09H (SPX3021-B)	5110-13E (SPX3020-E)
SP-3020X25	2 1/2	2	REP W/5110-100 (SPX3020-C)	5110-09G (SPX3000-B)	5110-13E (SPX3020-E)
SP-3020X25-2*	(-1989)				
SP-3021X25	2 1/2 (1990-)	2	5110-10N (SPX3021-C)	5110-09H (SPX3021-B)	5110-13E (SPX3020-E)
SP-3025X30	3 (-1989)	2 1/2	REP W/5110-102 (SPX3025-C)	5110-09G (SPX3000-B)	5110-13E (SPX3020-E)
SP-3026X30	3	2 1/2	5110-10R (SPX3026-C)	5110-09H (SPX3021-B)	5110-13E (SPX3020-E)

*2" POT CONNECTIONS (1990-)

HELDOR E-Z FLO PUMP & SUPER II PUMP
 1987 and EARLIER
E-Z Flo Pumps Mfg. in 1988 and later may use Super Pump
II parts above. Check number on original part for proper
selection.


MODEL	H.P. 3000X SERIES UP RATED	H.P. 3000 SERIES FULL RATED	IMPELLER OPTIMUS NO. (MFG. NO.)	DIFFUSER OPTIMUS NO. (MFG. NO.)	SEAL PLATE OPTIMUS NO. (MFG. NO.)
SP-3105X7	3/4	1/2	5110-10BA (SPX2605-C)	5110-09A (SPX2600-B)	5110-13D (SPX3000-E)
SP-3107X10	1	3/4	5110-10CA (SPX2607-C)	5110-09A (SPX2600-B)	5110-13D (SPX3000-E)
SP-3110X15	1 1/2	1	5110-10DA (SPX2610-C)	5110-09A (SPX2600-B)	5110-13D (SPX3000-E)
SP-3115X20	2	1 1/2	5110-10EA (SPX2615-C)	5110-09A (SPX2600-B)	5110-13D (SPX3000-E)
SP-3120X25	2 1/2	2	REP W/5110-100 (SPX3020-C)	5110-09G (SPX3000-B)	5110-13E (SPX3020-E)
SP-3125X30	3	2 1/2	REP W/5110-102 (SPX3025-C)	5110-09G (SPX3000-B)	5110-13E (SPX3020-E)