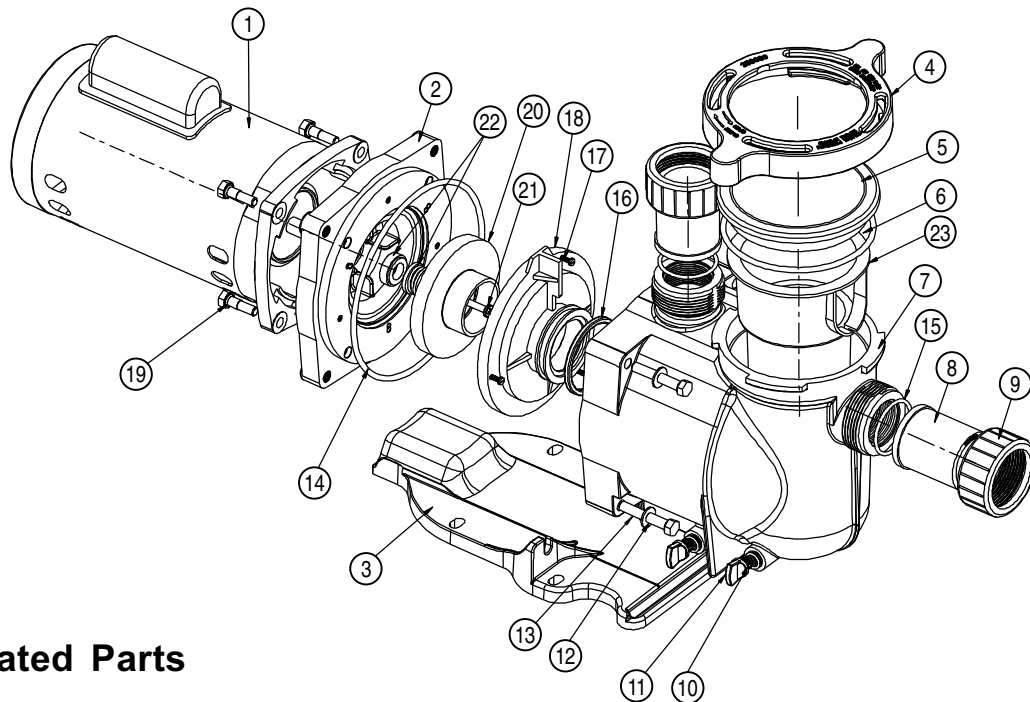


# Section 7

## Technical Data



### Illustrated Parts

Item No.	Part No.	Description	Item No.	Part No.	Description
<b>SINGLE SPEED SUPERMAX MOTORS</b>			13	072184	WASHER 3/8 in. S/S, 4 req.
1	355371S	½, ¾ HP — (Black)	14	355619	O-RING SEAL BRACKET
1	355339S	1 HP — (Black)	15	350099	O-RING ADAPTER #2-226, 2 req.
1	355340S	1½ HP — (Black)	16	355030	SEAL DIFFUSER
1	355342S	2 HP — (Black)	17	355334	SCREW #8-32 HEX WASHER HD, 3 req.
1	355702S	2½ HP — (Black)	18	355617	DIFFUSER - ½ HP
<b>DUAL SPEED SUPERMAX MOTORS</b>			18	355617	DIFFUSER - ¾ HP
1	355232S	1 HP — (Black)	18	355617	DIFFUSER - 1 HP
1	355376S	1½ HP — (Black)	18	355618	DIFFUSER - 1½ HP
1	355377S	2 HP — (Black)	18	355618	DIFFUSER - 2 HP
<b>ENERGY EFFICIENT SUPERMAX MOTORS</b>			18	350170	DIFFUSER - 2½ HP
1	355391S	½, ¾, 1 HP — (Black)	19	354290	HEX HEAD SCREW 3/8 - 16, 4 req.
1	355392S	1½ HP — (Black)	20	355043	IMPELLER ½ HP
1	355393S	2 HP — (Black)	20	355043	IMPELLER ¾ HP
1	355394S	2½ HP — (Black)	20	355067	IMPELLER 1 HP
2	355612	SEAL PLATE	20	355074	IMPELLER 1½ HP
3	351094	BASE	20	355086	IMPELLER 2 HP
4	351090	CLAMP, RAMP & CAM	20	355093	IMPELLER 2½ HP
5	350091	LID	20	355067	IMPELLER 1 HP, 2-SPD
6	357255	O-RING, LID #2-357	20	355074	IMPELLER 1½ HP, 2-SPD
7	351089	VOLUTE	20	355086	IMPELLER 2 HP, 2-SPD
8	350093	ADAPTER, 2 req.	21	355389	SCREW, IMPELLER LOCKING
9	270141	NUT, 2 req.	22	354545	SEAL SET
10	192115	O-RING DRAIN PLUG, 2 req.	23	355667	BASKET, LARGE
11	357161	DRAIN PLUG, 2 req.	24	351157	SUPERMAX® UNION KIT (2 UNIONS, 2 ADAPTERS, 2 O-RINGS PER KIT)
12	355621	SCREW ¾-16 X 2¼ HEX HD, 4 req.			