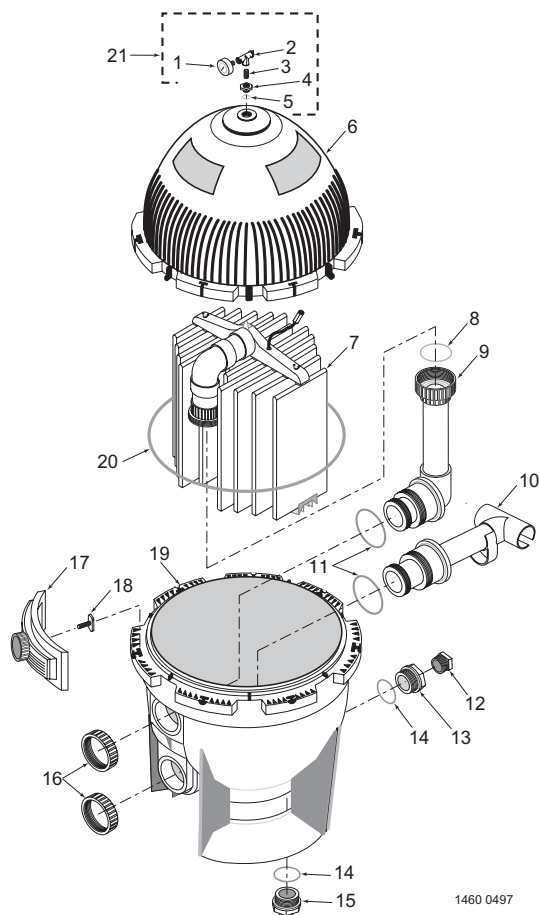


MODELS
S7D75
S8D110



1460 0497

REPAIR PARTS LIST

Key No.	Part Description	Model No.	
		S7D75	S8D110
1	2 Inch Gauge	33600-0023T	33600-0023T
2	Air Release Valve	WC212-120P	WC212-120P
3	Close Nipple 1/4 in.	U37-16P	U37-16P
4	Adapter Bushing	24900-0504	24900-0504
5	O-Ring	35505-1423	35505-1423
6	Upper Tank Shell Kit*	24851-9000	24851-9001
7	Filter Element Assembly	23900-1220S	23900-1221S
8	O-Ring	U9-362	U9-362
9	Outlet Assembly	23911-0102	23911-0102
10	Inlet Assembly	23911-0100	23911-0101
11	O-Ring	35505-1425(2)	35505-1425(2)
12	1-1/2" NPT Plug	27001-0022S	27001-0022S
13	Adapter Fitting	24900-0509	24900-0509
14	O-Ring	35505-1424 (2)	35505-1424(2)
15	Drain Plug	24900-0503	24900-0503
16	Bulkhead Retaining Nut	24752-0050(2)	24752-0050(2)
17	Clamp Assembly	24850-0200 (7)	24850-0200 (8)
18	Clamp Bolt	24850-0010(7)	24850-0010(8)
19	Lower Tank Shell	24850-0102S	24851-0103S
20	Cord-Ring	24850-0008	24850-0009
21	Valve and Gauge Assembly (Includes Key Nos. 1-5)	24850-0105	24850-0105
•	Warning Decal	32165-4004	32165-4005
•	Decal - Model Label	32155-4031	32155-4033
•	Decal - Instruction Label	32155-4032	32155-4034

• Not illustrated

* Includes all decals and labels.

Quantity one unless otherwise indicated ().