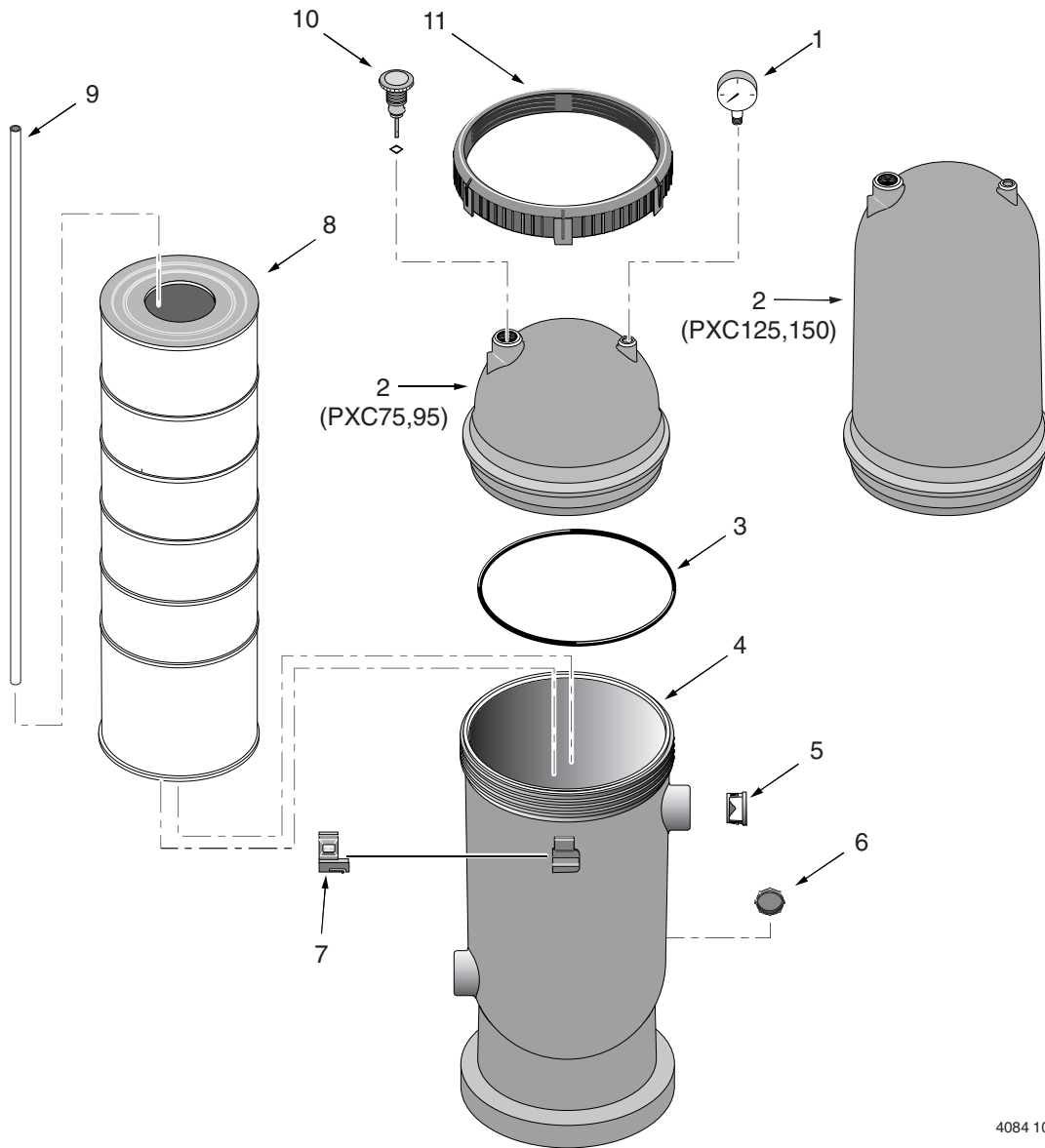


REPAIR PARTS

PXC75
PXC95
PXC125
PXC150



4084 1001

Key No.	Description	Qty.	PXC75	PXC95	PXC125	PXC150
1	Pressure Gauge	1	15060-0000T	15060-0000T	15060-0000T	15060-0000T
2	Filter Lid Assembly*	1	25230-0102S	25230-0102S	25230-0103S	25230-0103S
3	Tank O-Ring†	1	25230-0010S	25230-0010S	25230-0010S	25230-0010S
4	Tank Body	1	25230-0001S	25230-0001S	25230-0001S	25230-0001S
5	Water Diverter	1	25230-0006	25230-0006	25230-0006	25230-0006
6	Drain Cap with Gasket	1	32185-7074	32185-7074	32185-7074	32185-7074
7	Safety Latch	1	25200-0007	25200-0007	25200-0007	25200-0007
8	Filter Cartridge	1	25230-0075S	25230-0095S	25230-0125S	25230-0150S
9	Air Bleed Tube	1	25230-0007	25230-0007	25230-0008	25230-0008
10	Air Release Valve with O-Ring	1	24206-0103S	24206-0103S	24206-0103S	24206-0103S
11	Locking Ring (not sold separately)	1	—	—	—	—

* Includes Key Nos. 2, 3 and 11.

† Includes silicone grease.