

P6E, P6EA, P6RA
MAX-E-PRO® HIGH EFFICIENCY POOL
AND SPA PUMP
1/2 through 3 HP Models

REPAIR PARTS LIST

Box A

Key No.	Part Description	Qty.	Part No.
1	Motor	1	See page 12/13
2	#10-32x1/2" Screw	1	U30-692SS
2A	Lock Washer	1	U43-22SS
3	Bonding Lug	1	U17-568
4	Water Slinger	1	17351-0009
5	Seal Plate Kit (Incl. Key Nos. 6, 7)	1	C203-194P
6	O-Ring	1	U9-228A
7	Shaft Seal	1	37400-0028S
8	Clamp Knob	1	C19-37A
9	Clamp	1	WC36-22
10	Impeller	1	See page 12/13
10A	Impeller Screw O-Ring	1	35505-1426 --
10B	Impeller Screw	1	See page 12/13
11	Diffuser	1	See page 12/13
12	Diffuser O-Ring	1	U9-374
13	#8 Lock Washer	5	U43-21SS
14	Screw (w/C1-271P Diffuser)	5	U30-922SS
14	Screw (w/C1-271P1 Diffuser)	5	U30-542SS
15	Tank Body Assembly****	1	17307-0110S
16	Trap Cover Assembly**	1	17307-0111S
17	Trap O-Ring	1	35505-1440
18	Basket	1	C8-58P
19	1/4" NPT Drain Plug	2	U178-920P
20	Base Washer	2	U43-41SS
21	Base Screw	2	U30-918SS
22	Base***	1	C4-78P
23	Motor Pad	1	C35-43
24	3/8-16x1" Hex Hd. Screw	4	U30-74SS
•	Voltage Sticker - 230 Volts (Single voltage models only)		U27-68
•	Voltage Sticker - 115/230 Volts (Dual voltage models only)		U27-153
•	Tag, "CAUTION, WARNING (bonding)"		61002-0002
•	Decal, "Do not overtighten..."		U27-644
•	Nameplate		32155-7117

For quick disconnect pipe connections, purchase separately:
 Pkg. 188 2" Slip 1/2 Union Kit or
 Pkg. 189 2" NPT 1/2 Union Kit.
 Includes 2 each:
 U11-200P Union Collar
 U9-362 O-Ring
 U11-196P 2" Slip adapter or
 U11-199P 2" NPT adapter.

- Not illustrated.
- ** Includes Trap Cover, Trap Ring and Trap Cover O-Ring.
- *** Model P6E6H uses Base No. C4-79P and Motor Pad No. C35-44.
- **** Includes Trap Body, Basket, Drain Plugs, and Trap Cover Assembly.

*Models with the * take the following additional parts: C2-84 Pump Adapter (1), C10-41SS Stab Shaft (1), U30-754SS Set Screw (3), U30-74SS Screw 3/8-16X1" Lg (8) and C35-44 Motor Pad (1).

Parts are common to all models listed except as noted;
Key Nos. 1(Motor), 10(Impeller), and 11(Diffuser) are listed below.

Model No.	HP		Motor No. (Key No. 1)	Impeller (Key No. 10)	Diffuser (Key No. 11)
1 PHASE 60 HZ PUMPS					
115/230 V 1- Speed					
P6E6C-204L	1/2		AE100CHL	C105-238PX	C1-271P1
P6E6D-205L	3/4		AE100DHL	C105-238P	C1-271P1
P6R6D-205L	3/4		355021S	C105-238P	C1-271P1
P6E6E-206L	1		AE100EHL	C105-238PB	C1-271P1
P6EA6E-205L	1		AE100ELL	C105-238P	C1-271P1
P6RA6E-205L	1		A100ELL	C105-238P	C1-271P1
P6R6E-206L	1		355023S	C105-238PB	C1-271P1
P6EA6F-206L	1-1/2		AE100FLL	C105-238PB	C1-271P1
P6RA6F-206L	1-1/2		A100FLL	C105-238PB	C1-271P1
P6R6F-207L	1-1/2		355025S	C105-238PDBA	C1-271P
230V 1-Speed					
P6E6F-207L*	1-1/2		AE100FHL	C105-238PDBA	C1-271PA
P6EAA6F-216L*	1-3/4		AE100F5LL	C105-238PDCA	C1-271P
P6RAA6F-216L*	1-3/4		A100F5LL	C105-238PDCA	C1-271P
P6E6G-208L*	2		AE100GHL	C105-238PEBA	C1-271PA
P6EA6G-207L*	2		AE100GLL	C105-238PDBA	C1-271PA
P6RA6G-207L*	2		A100GHL	C105-238PDBA	C1-271PA
P6R6G-208L	2		355027S	C105-238PEBA	C1-271P
P6EAA6G-208L*	2-1/2		AE100G5LL	C105-238PEBA	C1-271PA
P6E6H-209L*	3		AE100HLL	C105-238PLA	C1-271PA
P6EAA6G-208L	2 1/2			C105-238PEBA	C1-271P
P6R6H-209L	3		355034S	C105-238PLA	C1-271PA
2-Speed					
	Hi Speed	Low Speed			
P6RA6YF-206L**	1-1/2	1/4	A100FLL-Y	C105-238PBA	C1-271P1
P6RA6YG-207L*	2	1/3	A100GLL-Y	C105-238PDBA	C1-271P

3 PHASE 60 HZ PUMPS

208-230/460 V 1 Speed					
345076	1		354806S	C105-238PBA	C1-271P1
345077	1-1/2		354808S	C105-238PDBA	C1-271P
345078	2		354810S	C105-238PEBA	C1-271P
345079	3		354812S	C105-238PLA	C1-271P
200/400v 1 Speed					
P6R62D3-186	3/4		AP100DH2	C105-238A	C1-271P1
P6R62E3-187	1		AP100EH2	C105-238PBA	C1-271P1
P6R62F3-188	1-1/2		AP100FH2	C105-238PDBA	C1-271P
P6R62G3-189	2		AP100GH2	C105-238PDBA	C1-271P

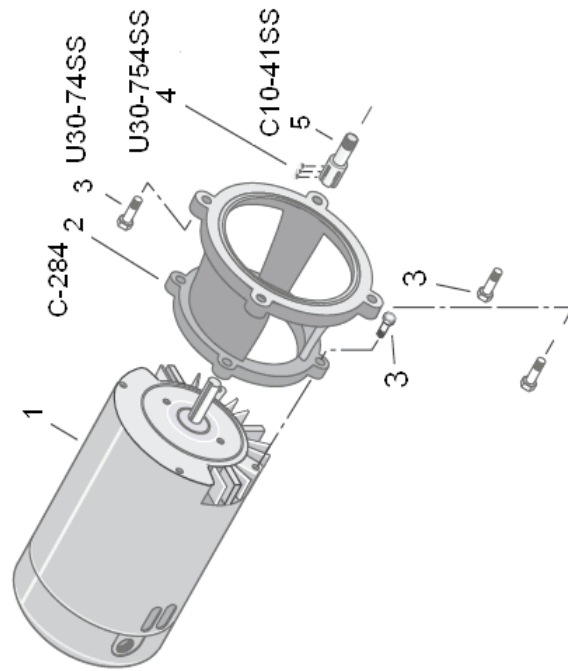
*Uses Key No. 10B Impeller Screw No. 37337-6080.

** Uses Key No. 10B Impeller Screw No. 37337-6081.

MAX-E-PRO Pool Pumps 575 Volts, 3-Phase Models:

Model No.	HP	Motor No. (Key No. 1)	Impeller (Key No. 10)	Diffuser (Key No. 11)	Motor Base
P6EA6D36-204*	3/4	16502-0024	C105-238PX	C1-271P1	C104-79P
P6EA6E36-205*	1	16503-0024	C105-238P	C1-271P1	C104-79P
P6EA6F36-206	1-1/2	62001-1019	C105-238PBA	C1-271P1	C4-78P
P6EA6G36-207	2	62001-1020	C105-238PDBA	C1-271P	C104-79P
P6E6H36-209	3	62001-1021	C105-238PLA	C1-271PA	C104-79P

**P6EA6D36-205, P6EA6E36-205
MAX-E-PRO® HIGH EFFICIENCY
POOL AND SPA PUMP
3/4 & 1 HP Models**



**P6E, P6EA, P6RA
MAX-E-PRO® HIGH EFFICIENCY
POOL AND SPA PUMP
1/2 through 3 HP Models**

