

JXi HEATER
POOL & SPA HEATER



Compact
Easy to Install
Energy Efficient



NEW



JXi Swimming Pool & Spa Gas Heater

Hot things come in small sizes

The high-efficiency, low NOx JXi Heater sets a new standard in pool and spa heating technology. JXi is the ultimate in innovation and heating efficiency with its ultra compact size and breakthrough new features. JXi is also the easiest heater to install and use, making it a top choice for pool professionals and pool owners everywhere.

Fastest Installation

Innovative pro-driven features make installation a snap.

Ultra Compact

Smallest space requirement—2' by 2' footprint.*

Best Retrofit Option

Quick and easy Mastertemp® and Max-E-Therm® replacement, requiring no plumbing adjustments.

Sidewall Ventilation

Provides versatility and ease of installation.

Easy to Control

Digital interface provides quick & easy temperature control.

* Refer to JXi manual for proper heater clearances that may apply.



Available in four BTU sizes: 200K, 260K, 330K, 399K

Ultra High Efficiency 83%

Exceptional 83% efficiency rating and **low NOx** design surpasses strict DOE thermal efficiency requirements.

Automation-Ready

Convenience built in. JXi is AquaLink/iAquaLink compatible with its RS485 Interface.



AquaLink® / iAquaLink™
COMPATIBLE

Features

Major competitor model



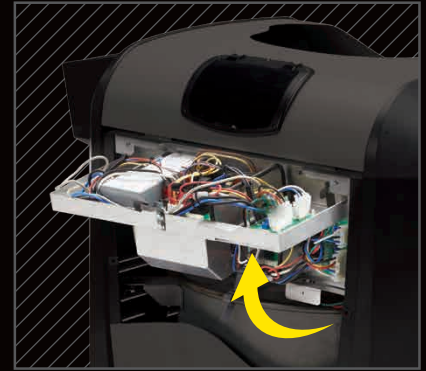
Smaller and Lighter

Easy to store, transport, and install, JXi is 38% lighter with a 28% smaller footprint.



Flexible Installation

180° rotatable top so you never need to rotate headers.



Easy Access

Electrical panel flips up for ease of service.



Drop in replacement of MasterTemp® heater



VersaPlumb ready sweep elbow included

Easy Replacement

3-port header for easy plumbing and drop in replacement of MasterTemp®, Max-E-Therm®, and Jandy® Pro Series heaters.



User-Friendly Control

Digital interface for effortless temperature control and diagnostics with run time and cycle meter.



High Efficiency Gas Train and Heat Exchanger Design

- » Copper fin heat exchanger tubes for efficient heat transfer
- » Single stainless steel burner with robust design
- » Blower driven gas & air mix for reliable performance
- » Hot surface ignitor for consistent start ups



Versa Plumb® Ready

Get the most energy efficient system and the smallest footprint with JXi and Versa Plumb. Includes sweep elbow for connections.

Additional Features



Corrosion resistant stainless steel header bar for extreme heat exchanger durability.



Venturi driven air and gas mix for enhanced performance.



Reliable, balanced flow and temperature control with thermal regulator valve.



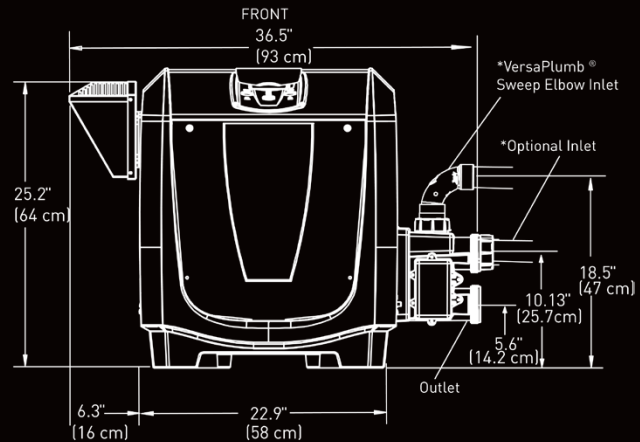
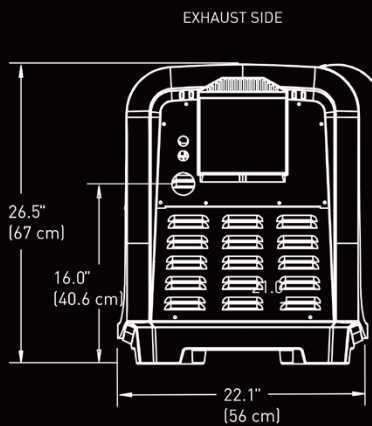
Differentiated limit switches meet applicable product safety standards.



Corrosion resistant temperature sensors for reliable operation.

Ultra Compact & Lightweight

Fits 2' x 2' pad and only weighs 126 lbs or less.



NOTE: Dimensions are identical on all heater models

Model Number	Firing Rate	Width	Vent Diameter	Depth	Height	Weight	Minimum GPM	Maximum GPM
JXi200	200K BTU	22.9"	6" (15 cm)	22.1"	26.5"	117 lbs*	20	120
JXi260	260K BTU	22.9"	7" (18 cm)	22.1"	26.5"	120 lbs	25	120
JXi330	330K BTU	22.9"	8" (20 cm)	22.1"	26.5"	123 lbs*	30	120
JXi400	399K BTU	22.9"	8" (20 cm)	22.1"	26.5"	126 lbs	40	120

* Actual weight may vary.

4 Units per pallet



Zodiac Pool Systems, Inc.
2620 Commerce Way, Vista, CA 92081
1.800.822.7933 | www.ZodiacPoolSystems.com

Zodiac Pool Systems Canada, Inc.
2115 South Service Road West, Unit #3, Oakville, ON L6L 5W2
1.888.647.4004 | www.ZodiacPoolSystems.ca