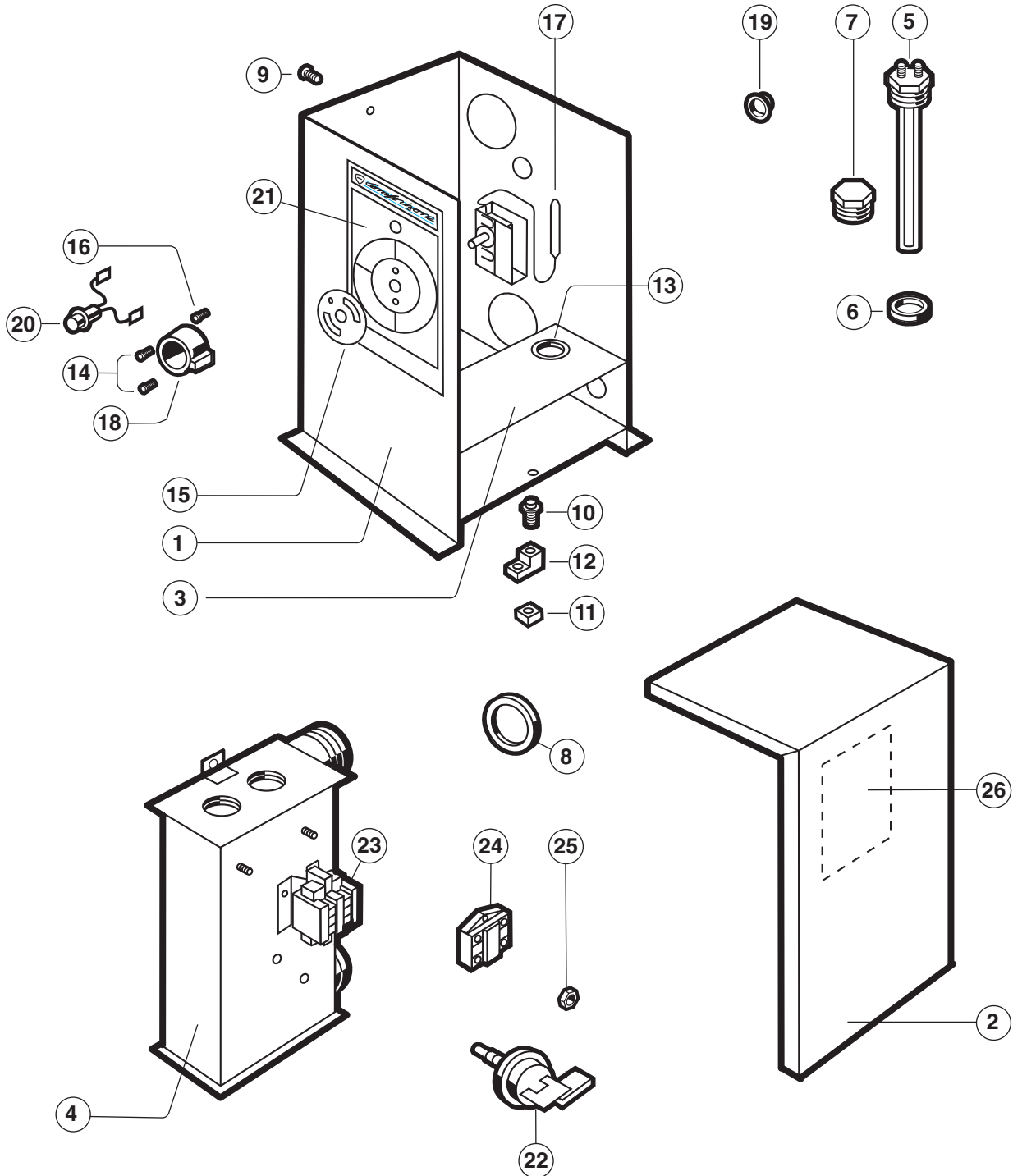




C-Spa XI Models 1.5 – 5.5 – 11

HEATER REPLACEMENT PARTS

Parts Diagram



Heating

C-Spa XI Models 1.5 – 5.5 – 11

HEATER REPLACEMENT PARTS



Parts Listing

Ref. No.	Part No.	Description	Ref. No.	Part No.	Description
1	CZXJKT7500	Jacket	21	CZXLBL7257	Thermostat Label with Logo
2	CZXJKT7003	Jacket Cover	22	CZXPRS1105	Pressure Switch
3	CZXJBX7402	Junction Box	23	CZXCON3645	Contactator
4	CZXTNK6607	Tank	24	CZXHLC3105	High Limit
5	CZXELE7641	Element – 1500 watts 120 volts	25	CZXNUT6404	High Limit and Contactator Nut
	CZXELE7623	Element – 5500 watts 240 volts	26*	CZXDAP7270	Data Plate
6	CZXGKT7627	Element Gasket			NOT SHOWN:
7	CZXELP7622	Element Hole Plug with Gasket		CZXLBL8400	Reset Label
8	CZXGKT9216	Inlet/Outlet Gasket		CZXLBL7264	Wiring Diagram Label
9	CZXSCR6101	Tek Screw		CZXLBL7700	Inlet Label
10	CZXBLT5411	Ground Lug Bolt		CZXLBL7701	Outlet Label
11	CZXNUT5403	Ground Lug Nut		CZXLBL5600	Caution Power Label
12	CZXGRL2900	Ground Lug		CZXLBL5100	Fill Warning Label
13	CZXHYB1702	Heyco Bushing		CZXWIR8602	#8 Wire Red 7" with Ring Terminals
14	CZXSCR3003	Thermostat Screw		CZXWIR8702	#8 Wire Black 7" with Ring Terminals
15	CZXTDL0102	Thermostat Dial Lock		CZXWIR8603	#8 Wire Red 16" – 1 Ring Terminal
16	CZXSCR2102	Dial Lock Screw		CZXWIR8703	#8 Wire Black 16" – 1 Ring Terminal
17	CZXTST3006	Thermostat		CZXWIR5002	#18 Wire Red 7" – Solid
18	CZXTSK2003	Thermostat Knob		CZXWIR6613	#10 Wire Black 7" – Solid
19	CZXGRM9209	Grommet, High Limit		CZXWIR5801	#14 Wire Blk 8" with Quick Con. Ends
20	CZXLIT3613	Indicator Light 240 volts		CZXWIR6601	#14 Wire Blu 5" with Quick Con. Ends
	CZXLIT3612	Indicator Light 120 volts		CZXPNT1930	Touch Up Paint-Grey

*Replaced upon return of damaged plate.